

AU8522

VSB/QAM DTV and NTSC ATV Demodulator with A/V Decoder

The AU8522 is a DTV demodulation IC for ATSC, digital cable, and legacy TV applications.

Description

The AU8522 is a DTV demodulation IC for ATSC, digital cable, and legacy TV applications. Internally, the AU8522 consists of a fully compliant ATSC A/74 8-VSB demodulator, a 64/256 QAM demodulator, a complete NTSC analog TV demodulator and video decoder, and a BTSC/A2/FM audio decoder. The AU8522 directly accepts IF or low IF from the RF tuner section via a 12-bit internal Analog-to-Digital Converter, and following demodulation and error correction, outputs MPEG-2 transport stream. The AU8522 is engineered to utilize Microtune's proprietary demodulation algorithms and adaptive signal-tracking architecture to offer superior receiver performance. The AU8522 is ideally suited for any DTV or PC-TV system that requires full support for legacy TV broadcast alongside DTV reception.

Related Product Information:

- [Press Release](#)
- [Related Products](#)
- [Order Information](#)
- [Product Selector Guide](#)

Key Features

- ATSC A/74 compliant 8-VSB demodulation
- OpenCable, ANSI/SCTE DVS-031, ITU-T J.83 Annex B, and DOCSIS compliant 64/256 QAM demodulation
- EIA/CEA-909 Smart Antenna IF
- Integrated 12-bit ADC
- Integrated -30dB range analog RF and IF AGC controllers
- Fully programmable IF frequency
- TS and PS MPEG inputs and outputs
- Dual I²C Bus support

Analog TV Decoder

- NTSC/PAL demodulation and separation
- VBI data slicer
- Color controls
- Macrovision support
- BTSC/A2/FM compliant decoding
- 3-band audio EQ
- ITU-656 compliant output

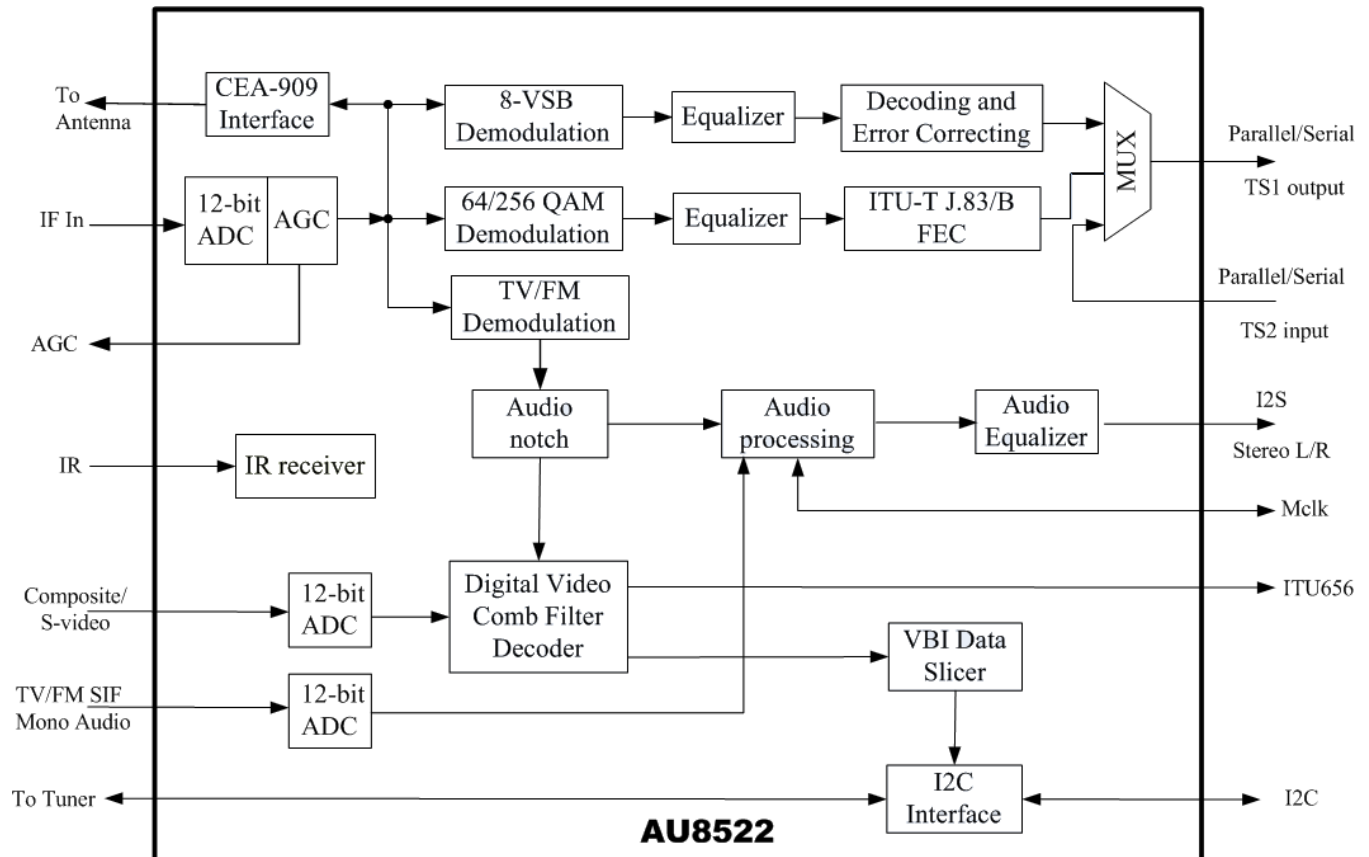
Package & Power

- 128 pin LQFP package (14 mm x 14 mm)
- Typ. Power: <600 mW
- Low standby power: <20 mW
- Compliant to RoHS and GADSL

AU8522 Target Segments

- IPTV Set-Top Boxes
- DVD Recorders
- PC-TV for Laptops and Desktops

Block Diagram



Related Documents

- PB-00165 – AU8522 Product Brief (This document)
- DS-00121– AU8522 Data Sheet

Contact and Ordering Information

Microtune, Inc
 2201 10th Street
 Plano, TX 75074, USA
 Tel: +1-972-673-1600, Fax: +1-972-673-1602
 E-mail: sales@microtune.com, Web site: www.microtune.com